



Desigo™ PX Open

PX Modbus

The PX Modbus integration solution provides a platform for the integration of numerous third-party devices and systems. It enables information to be exchanged with the automation level of the Desigo building automation and control system.

PX Modbus can be configured either as a MASTER or as a SLAVE.

Function

The PX Modbus integration solution supports the following Modbus function codes and data formats:

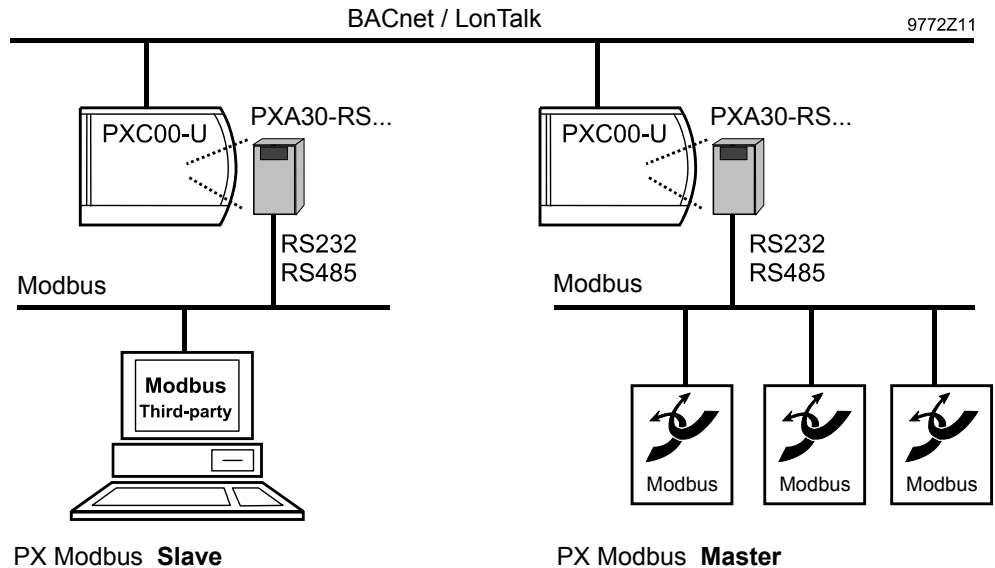
Function Codes

01, 02, 03, 04, 05, 06, 15, 16

Data formats

16-bit signed and unsigned integers
 32-bit signed and unsigned integers
 32-bit signed and unsigned 'Modulus-10000'
 Real 32-bit (IEEE floating point)
 ACM 16-bit
 BCD 16-bit and 32-bit

Topology



Types

Type	Description
PX Modbus	Master or slave software platform

Master or slave

PX Modbus can be configured either as a **master** or as a **slave** and supports up to 2000 data points from a third-party system.

Hardware

The firmware runs on a PXC00-U system controller with a PXA30-RS... extension module. For further information, refer to data sheets CA1N9221 and CM1N9281.

Ordering

The PX Modbus integration solution is available in three different models for 100, 400 and 2000 data points.

System controller	PXC00-U	(BACnet / LonTalk)
Extension module	PXA30-N	(BACnet / IP)
Extension module	PXA30-RS	(supports up to 100 data points)
Extension module	PXA30-RS1	(supports up to 400 data points)
Extension module	PXA30-RS2	(supports up to 2000 data points)

For ordering and download information, please consult your local sales office.

Engineering

Engineering with XworksPlus

Modbus engineering: for details refer to document CA2Y9772.

Commissioning

Commissioning is described in the data sheet CA1N9221 of the PXC00-U system controller, and in the data sheet CA2N9281 of the PXA30-RS extension module.